

CUSTOMER TECHNICAL MEMO # 319

Subject AF43, AF44, AF45 McArthur EVO
new adaptors to allow Breezway
Louvre Gallery

Date: June 2018

Author: Product Development Team

We are pleased to advise we have designed extrusions AF43, AF44, and AF45 which allow for a Breezway Gallery to be used with 101.6mm McArthur Evo framing.

Code	Description	Mass	AP	PP
1604289	AF43 McARTHUR EVO LOUVRE ADAPTOR	0.377	197	100
1604290	AF44 McARTHUR EVO LOUVRE HEAD ADAPTOR	0.556	293	138
1604291	AF45 McARTHUR EVO LOUVRE SILL ADAPTOR	0.566	293	135

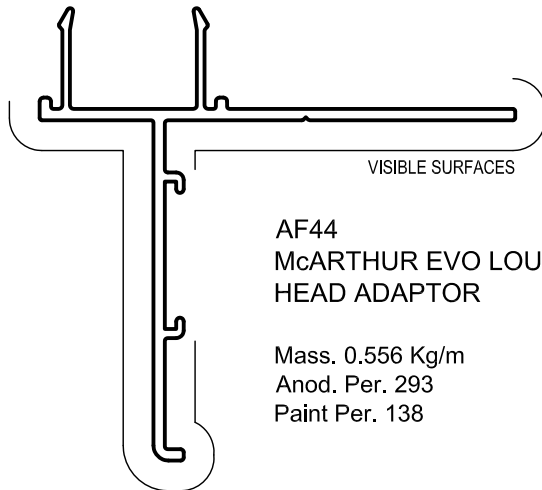
Stock has been ordered by Sydney Branch, due to arrive mid-June.

All extrusions have been added to V6.

Please refer to the attached Extrusion and Detail pages. These can be added to your Technical Manual until the next update is completed.

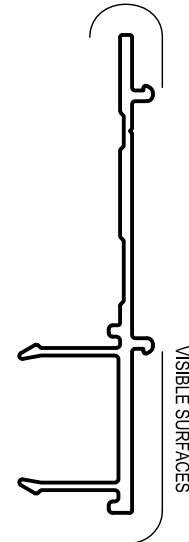
If you have any questions please do not hesitate to contact your local Alspec Area Manager or Sales Office.

TECH MEMO #319



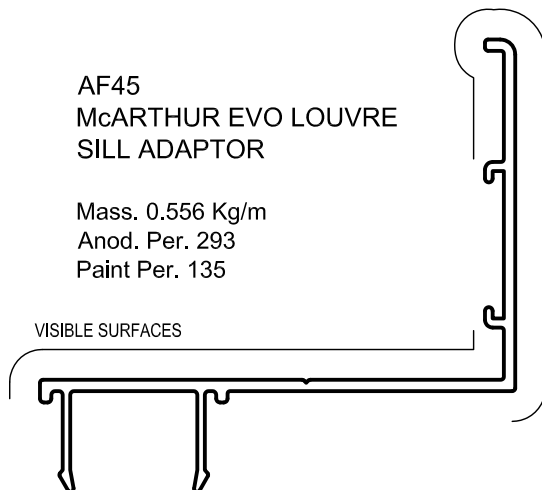
AF44
McARTHUR EVO LOUVRE
HEAD ADAPTOR

Mass. 0.556 Kg/m
Anod. Per. 293
Paint Per. 138



AF43
McARTHUR EVO
LOUVRE ADAPTOR

Mass. 0.377 Kg/m
Anod. Per. 197
Paint Per. 100

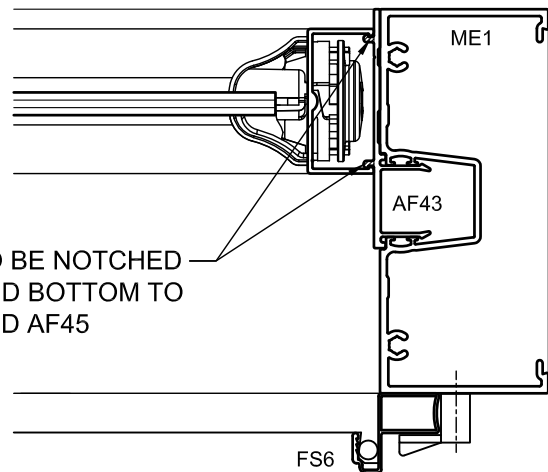
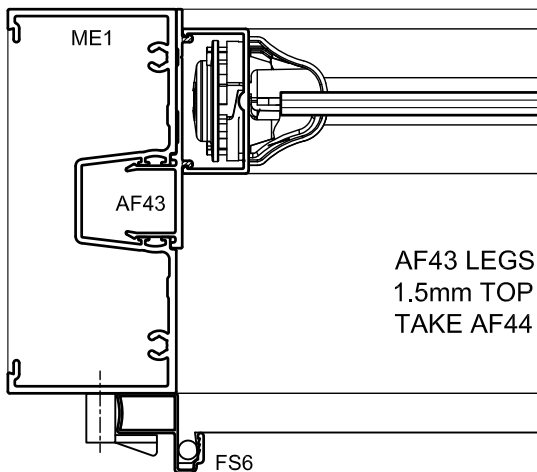
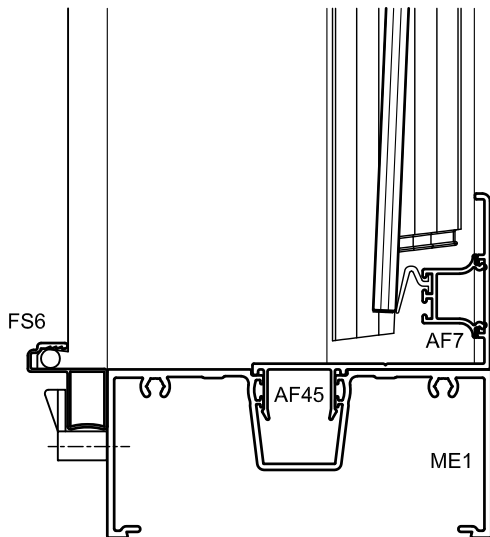
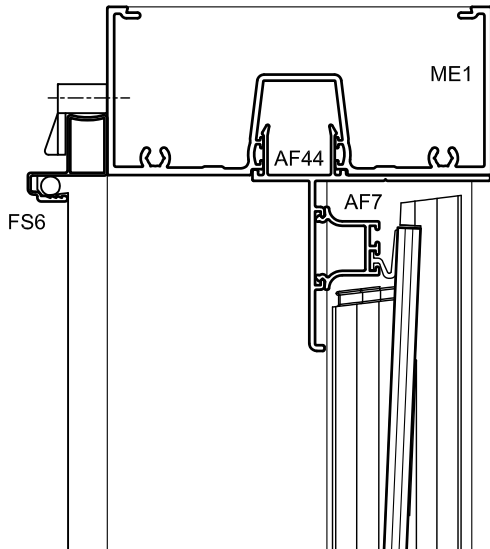


AF45
McARTHUR EVO LOUVRE
SILL ADAPTOR

Mass. 0.556 Kg/m
Anod. Per. 293
Paint Per. 135

VISIBLE SURFACES

TECH MEMO #319



AF43 LEGS TO BE NOTCHED
1.5mm TOP AND BOTTOM TO
TAKE AF44 AND AF45